

SECTION 3. PARTS INFORMATION

3-1. INTRODUCTION

This section identifies and lists the replaceable parts of the Henny Penny merchandiser.

3-2. GENUINE PARTS

Use only genuine Henny Penny parts in your cabinet. Using a part of lesser quality or substitute design may result in cabinet damage or personal injury.

3-3. HOW TO ORDER

Once the part you want to order has been found in the Parts List, write down the following information:

1. From the Parts List

(Sample)

Item Number 7

Part Number 40645

Description Relay

2. From the data plate

(Sample)

Product Number HMR104.0

Serial Number AY001JJ

Voltage 102/208V

3-4. PRICES

Your independent Henny Penny distributor has a price parts list and will be glad to inform you of the cost of your parts order.

3-5. DELIVERY

Commonly replaced items are stocked by your independent Henny Penny distributor and will be sent out when your order is received. Other parts will be ordered by the distributor from Henny Penny Corporation. Normally, these will be sent to your distributor within three working days.

3-6. WARRANTY

All replacement parts (except lamps and fuses) are covered under warranty for 90 days against manufacturing defects and workmanship. If damage occurs during shipping, notify the carrier at once so that a claim may be properly filed. Refer to warranty on the front of this section for other rights and limitations.

3-7. RECOMMENDED SPARE PARTS FOR DISTRIBUTORS

Recommended replacement parts, stocked by your distributor, are indicated with √ in the parts lists. Please use care when ordering recommended parts, because all voltages and variations are marked. Distributors should order parts based upon common voltages and equipment sold in their territory.

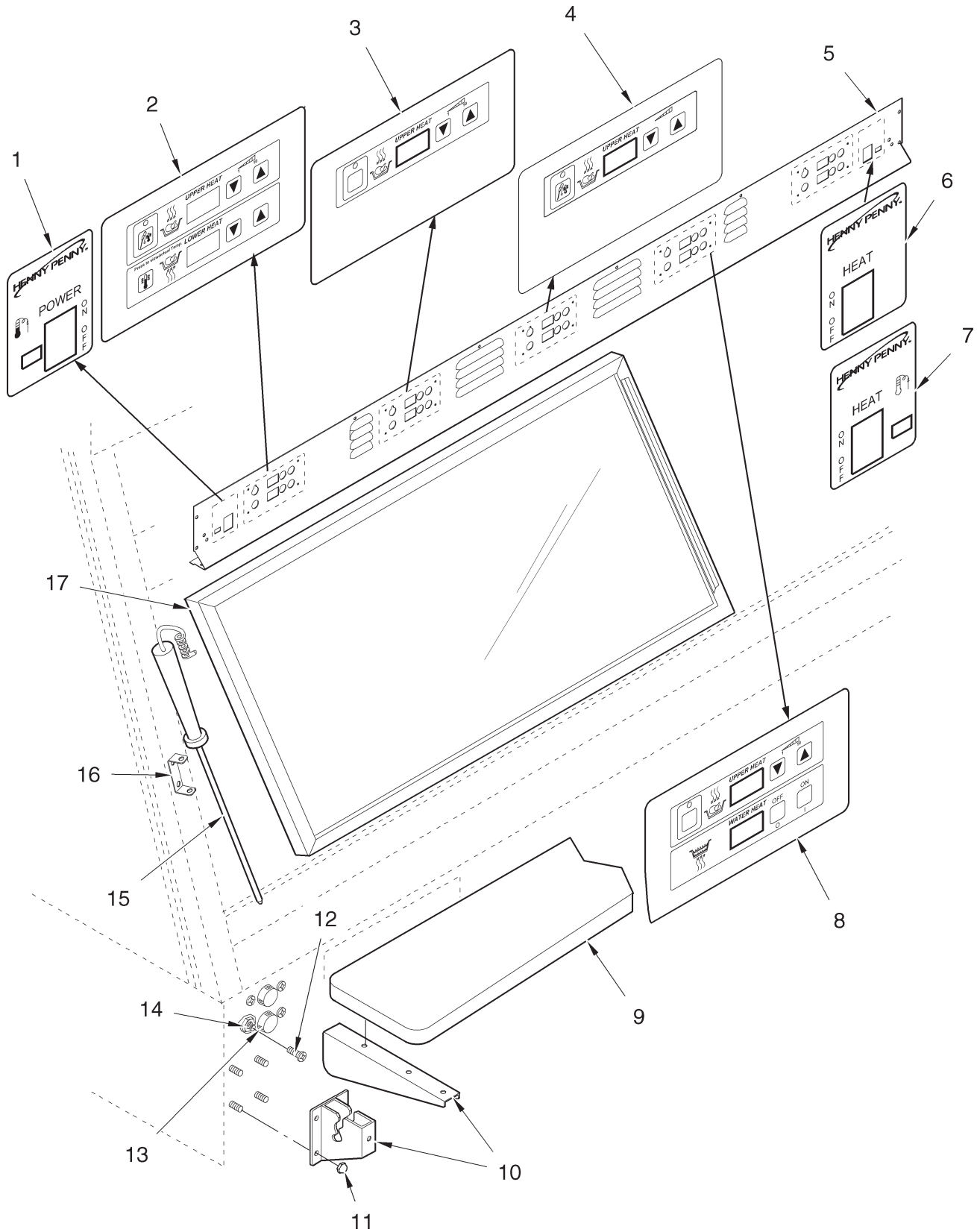


Figure 3-1. Covers, Doors, and Shelves

NO.	NO.	DESCRIPTION	QUANTITY				
			103	104	105	106	107
	3-1	COVERS, DOORS, & SHELVES					
	1	61753 DECAL - POWER WITH PROBE (103, SN CY094JA & BELOW; 104, SN CY074JA & BELOW; 105, SN CY096JA & BELOW; & 106, SN CY106JA & BELOW)	1	1	1	1	1
	2	56349 DECAL - CONTROL - UPPER/AIR	1	1	1	1	1
	3	59302 DECAL - CONTROL RAD. W/O PROBE	1	1	1	1	2
	4	56347 DECAL - CONTROL UPPER HEAT	1	1	2	2	2
	5	56048 REAR COVER - 3 WELL	1	-	-	-	-
	5	56059 REAR COVER - 4 WELL	-	1	-	-	-
	5	56005 REAR COVER - 5 WELL	-	-	1	-	-
	5	56151 REAR COVER - 6 WELL	-	-	-	1	-
	5	56039 REAR COVER - 7 WELL	-	-	-	-	1
	6	59306 DECAL - HEAT SUPPLY W/O PROBE	1	1	1	1	1
	7	61513 DECAL - HEAT SUPPLY WITH PROBE	1	1	1	1	1
	8	59304 DECAL - CONTROL RAD./WATER W/O PROBE	1	1	1	2	2
	9	37224 CUTTING BOARD - WOOD	1	-	-	1	2
	9	38653 CUTTING BOARD ASSY. - POLY.	1	-	-	1	2
	9	58574 CUTTING BOARD - WOOD - 4 WELL	-	1	-	-	-
	9	56129 CUTTING BOARD ASSY. - POLY. - 4 WELL	-	1	-	-	-
	9	37399 CUTTING BOARD - WOOD - 5 WELL	-	-	1	-	-
	9	38654 CUTTING BOARD ASSY. - POLY. - 5 WELL	-	-	1	-	-
	9	58567 CUTTING BOARD - WOOD - 6 WELL	-	-	-	1	-
	9	58606 CUTTING BOARD ASSY. - POLY. - 6 WELL	-	-	-	1	-
	10	37230 BRACKET - CUTTING BOARD	2	2	2	2	2
	11	NS03-044 NUT	8	8	8	8	8
	12	SC01-113 SCREW	4	4	4	4	4
√	13	EF02-006 FUSE HOLDER - 15 AMP (SEE SN CHART ON NEXT PAGE)	2	2	2	2	2
√	13	EF02-104 FUSE HOLDER - 20 AMP - CE	2	2	2	2	2
	14	NS02-005 NUT	4	4	4	4	4
√	15	59363 FOOD PROBE	1	1	1	1	1
	16	42895 FOOD PROBE CLIP	2	2	2	2	2
	17	68045 SLIDING GLASS DOORS - 3 & 6 WELLS	2	-	-	4	-
	17	68047 SLIDING GLASS DOORS - 4 WELL	-	2	-	-	-
	17	68049 SLIDING GLASS DOORS - 5 WELL	-	-	2	-	-
	17	68110 SLIDING GLASS DOORS - 5 WELL - 4 DOOR	-	-	4	-	-
	17	68051 SLIDING GLASS DOORS - 7 WELL	-	-	-	-	4
		22225 --DOOR GLIDE				4 PER DOOR	
		SC01-049 --SCREW #6-32 X 3/8 PH PHD C				4 PER DOOR	
		DOOR TRACKS (SEE NEXT PAGE)					
√	18*	EF02-007 FUSE - 15 AMP (SEE SN CHART ON NEXT PAGE)	2	2	2	2	2
√	18*	EF02-125 BREAKER-PUSH BUTTON RESET	2	2	2	2	2
		(SEE SN CHART ON NEXT PAGE)					
√	18*	EF02-105 FUSE - 15 AMP - CE	2	2	2	2	2
	19*	58497 WELL COVER - 2" - 2 WELL	-	AR	AR	AR	AR
	19*	58498 WELL COVER - 3/8" - 2 WELL	-	AR	AR	AR	AR
	19*	42479 WELL COVER - 3/8" - 3 WELL	AR	-	AR	AR	AR
	19*	42477 WELL COVER - 2" - 3 WELL	AR	-	AR	AR	AR
	19*	58503 WELL COVER - FLAT - 2 WELL	-	AR	AR	AR	AR
	19*	58504 WELL COVER - FLAT - 3 WELL	AR	-	AR	AR	AR
	20*	54003 ADJUSTABLE LEGS (OPTIONAL)	4	4	6	6	6
	21*	64175 SPLATTER GUARD - HMR-103	1	-	-	-	-
	21*	64176 SPLATTER GUARD - HMR-104	-	1	-	-	-
	21*	64177 SPLATTER GUARD - HMR-105	-	-	1	-	-
	21*	64178 SPLATTER GUARD - HMR-106	-	-	-	1	-
	21*	64179 SPLATTER GUARD - HMR-107	-	-	-	-	1

Fuse, Fuse Holder and Breaker SN Chart

MODELS	PART #	
	EF02-006 & EF02-007	EF02-125
HMR103	HA0703010 & below	HA0703011 & above
HMR104	HA0704031 & below	HA0704032 & above
HMR105	HA0702057 & below	HA0702058 & above
HMR106	HA0703035 & below	HA0703036 & above
HMR107	HA0704034 & below	HA0704035 & above

FIG. & ITEM NO.	PART NO.	DESCRIPTION	QUANTITY				
			103	104	105	106	107
1*	56595-001	LOWER DOOR TRACK-HMR-103	1	-	-	-	-
2*	56595-002	LOWER DOOR TRACK-HMR-104	-	1	-	-	-
3*	56595-003	LOWER DOOR TRACK-HMR-105	-	-	1	-	-
4*	56595-004	LOWER DOOR TRACK-HMR-106	-	-	-	1	-
5*	56595-005	LOWER DOOR TRACK-HMR-107	-	-	-	-	1
1*	56238	UPPER DOOR TRACK-HMR-103	1	-	-	-	-
2*	56237	UPPER DOOR TRACK-HMR-104	-	1	-	-	-
3*	56236	UPPER DOOR TRACK-HMR-105	-	-	1	-	-
4*	56235	UPPER DOOR TRACK-HMR-106	-	-	-	1	-
5*	56234	UPPER DOOR TRACK-HMR-107	-	-	-	-	1
6*	SC01-003	SCREW #6-32 X 3/8 PH FLAT HD	8	10	12	14	16
7*	NS02-005	NUT HEX KEPS #6-32 C	4	5	6	7	8
8*	NS03-063	6-32 HI-CROWN ACORN NUT SS	4	5	6	7	8

√ recommended parts/*not shown

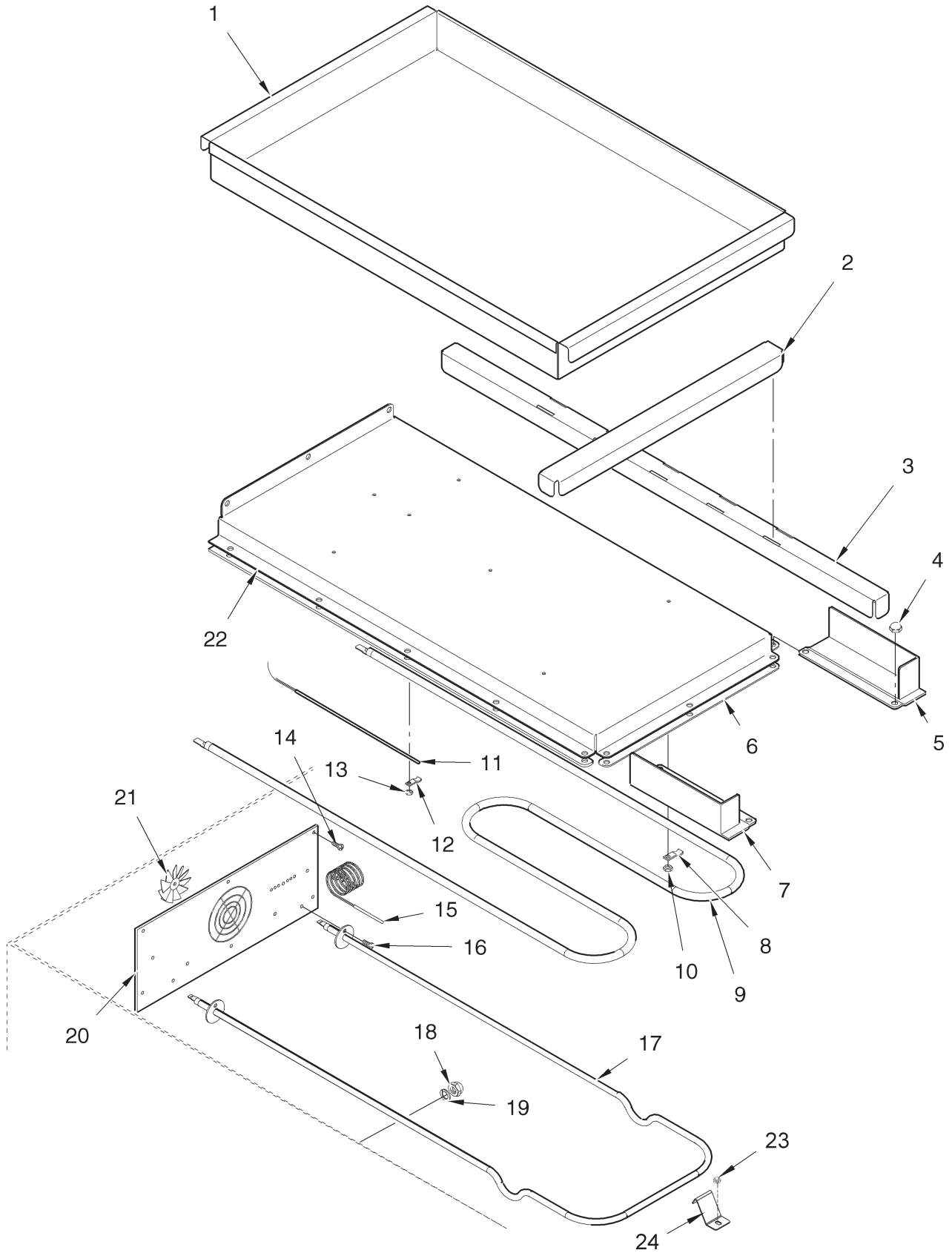


Figure 3-2. Well Interior

FIG. &

ITEM NO.	PART NO.	DESCRIPTION	QUANTITY				
			103	104	105	106	107
3-2		WELL INTERIOR					
1	59315	WATER PAN (SMALL SERVICE ONLY)	1	1	1	2	2
1	91963	WATER PAN (STANDARD)	1	1	1	2	2
2	37371	PAN CROSS SUPPORT - SHORT	6	8	10	12	14
3	37159	PAN SUPPORT - LONG	6	8	10	12	14
3	14462	KIT - HMR10X - SUPPORT-PAN/SHELF MTG (USE WITH 14463 & 14464)	1	1	1	1	1
4	NS03-002	ACORN NUT - #10-24 C	13	13	13	13	26
5	63440	RH LOCATOR - WATER PAN (SERVICE ONLY)	1	1	1	1	2
5	91977	LOCATOR - WATER PAN (STANDARD)	2	2	2	4	4
5	91978	LOCATOR-WATER PAN (CAMBO)	AS REQUIRED				
6	56862	GASKET - WATER PAN	1	1	1	1	2
7	63441	LH LOCATOR - WATER PAN (SERVICE ONLY)	1	1	1	1	2
8	56354	WATER HEATER CLIP	5	5	5	5	10
√ 9	56310-01	WATER PAN HEATER - 230V-400W (UNDER 58564)	1	1	1	1	2
√ 9	56310-02	WATER PAN HEATER - 208V-400W (UNDER 58564)	1	1	1	1	2
10	NS02-005	NUT	5	5	5	5	10
√ 11	26252	PROBE - 6" - WATER PAN	1	1	1	1	2
12	MS01-462	TUBE CLAMP	2	2	2	2	4
13	NS02-005	NUT	2	2	2	2	4
14	SC02-041	SCREW	12	12	12	18	18
√ 15	56166	PROBE - 3"	1	1	1	1	1
16	SC02-041	SCREW	4	4	6	6	8
√ 17	56240-01	LOWER HEATER - 208V-650W	2	2	3	3	4
√ 17	56240-02	LOWER HEATER - 240V-650W	2	2	3	3	4
18	NS03-023	ACORN NUT	6	6	6	6	6
19	LW01-013	LOCKWASHER	6	6	6	6	6
20	16685	FAN GUARD	2	2	2	3	3
21	39974	FAN BLADE	2	2	2	3	3
22	58564	WATER PAN HEATER SUPPORT	1	1	1	1	2
23	NS03-044	NUT - ACORN #10-24 STAINLESS STL	2	2	3	3	4
24	66800	BRACE - BASE AIR HEATER	2	2	3	3	4
25*	14463	KIT-2 WELL WIRE SHELF & GLIDES (USE WITH 14462)	1	1	1	1	1
25*	14464	KIT-3 WELL WIRE SHELF & GLIDES (USE WITH 14462)	1	1	1	1	1

√ recommended parts

*not shown

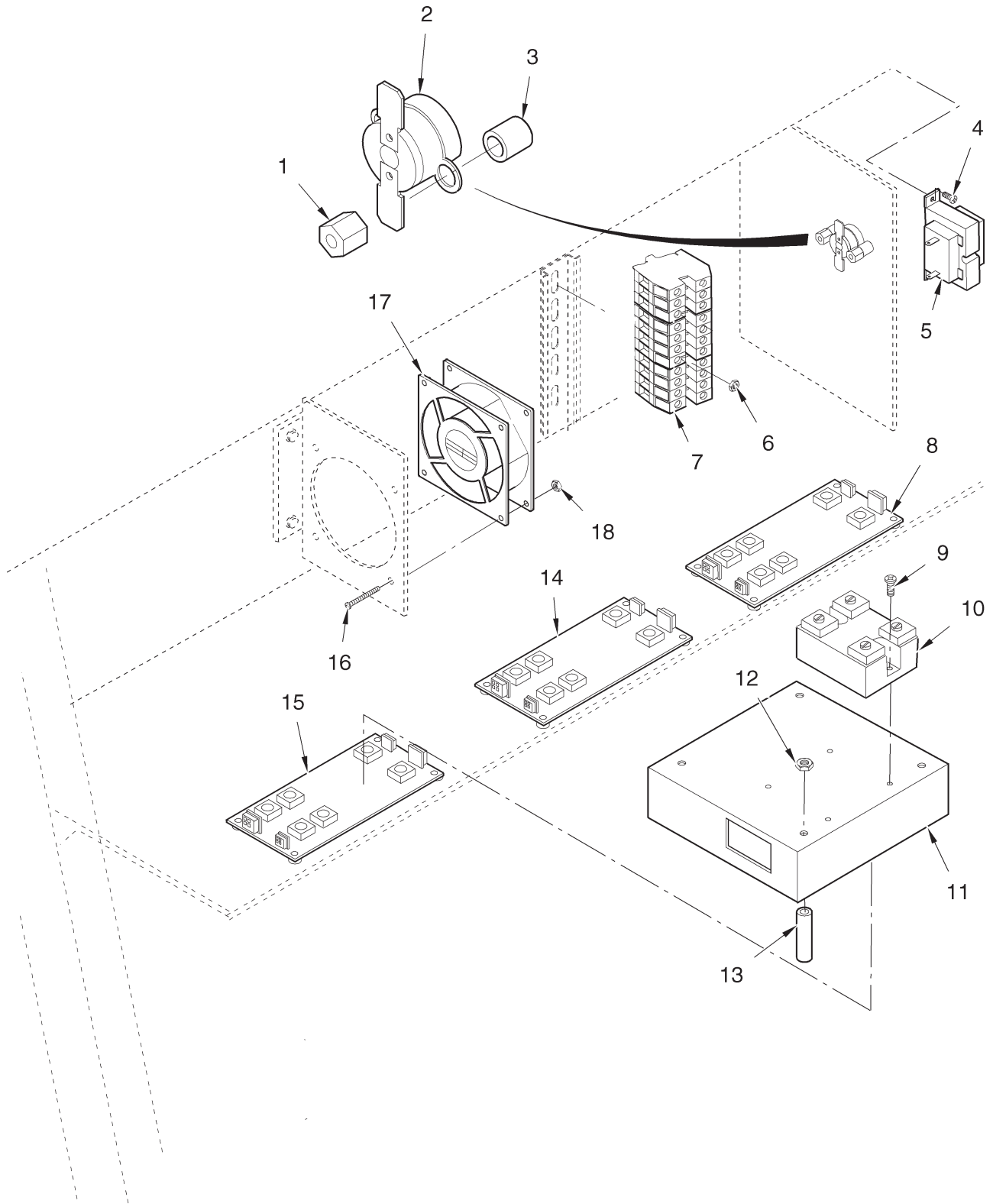


Figure 3-3. Upper Control Panel

FIG. &

ITEM NO.	PART NO.	DESCRIPTION	QUANTITY				
			103	104	105	106	107
3-3		UPPER CONTROL PANEL					
1	ME50-023	STANDOFF	2	2	4	4	4
√ 2	58670	HIGH LIMIT - 165° F	1	1	2	2	2
√ 2	14257	HIGH LIMIT KIT-MANUAL RESET TO AUTO RESET	AR	AR	AR	AR	AR
3	ME50-011	SPACER	2	2	4	4	4
4	SC02-041	SCREW	2	2	2	2	2
√ 5	28979	TRANSFORMER - 208/240V	1	1	1	1	1
6	NS02-006	NUT	6	8	10	12	14
7	56174	TERMINAL BLOCK ASSEMBLY	3	4	5	6	7
7	56175	TERMINAL BLOCK ASSEMBLY - CE	3	4	5	6	7
√ 8	55101	CONTROL PC BOARD - RADIANT/AIR HEAT	1	1	1	1	1
√ 8	63911	CONTROL PC BOARD - RADIANT/AIR HEAT - CE	1	1	1	1	1
9	SC04-001	SCREW	10	12	14	20	20
√ 10	40645	RELAY	5	6	7	10	10
11	64256	PC BOARD COVER	1	2	3	3	4
12	NS02-005	NUT	4	8	12	12	16
13	ME50-014	SPACER	4	8	12	12	16
√ 14	55102	CONTROL PC BOARD - RADIANT/WATER HEAT	1	1	1	2	2
√ 14	63912	CONTROL PC BOARD - RADIANT/WATER HEAT - CE	1	1	1	2	2
√ 15	55100	CONTROL PC BOARD - RADIANT HEAT	1	2	3	3	4
√ 15	63910	CONTROL PC BOARD - RADIANT HEAT - CE	1	2	3	3	4
16	SC01-003	SCREW	4	8	8	8	8
√ 17	16688	COOLING FAN - 220V	2	3	4	4	4
18	NS02-005	NUT	4	4	8	8	8

√ recommended parts

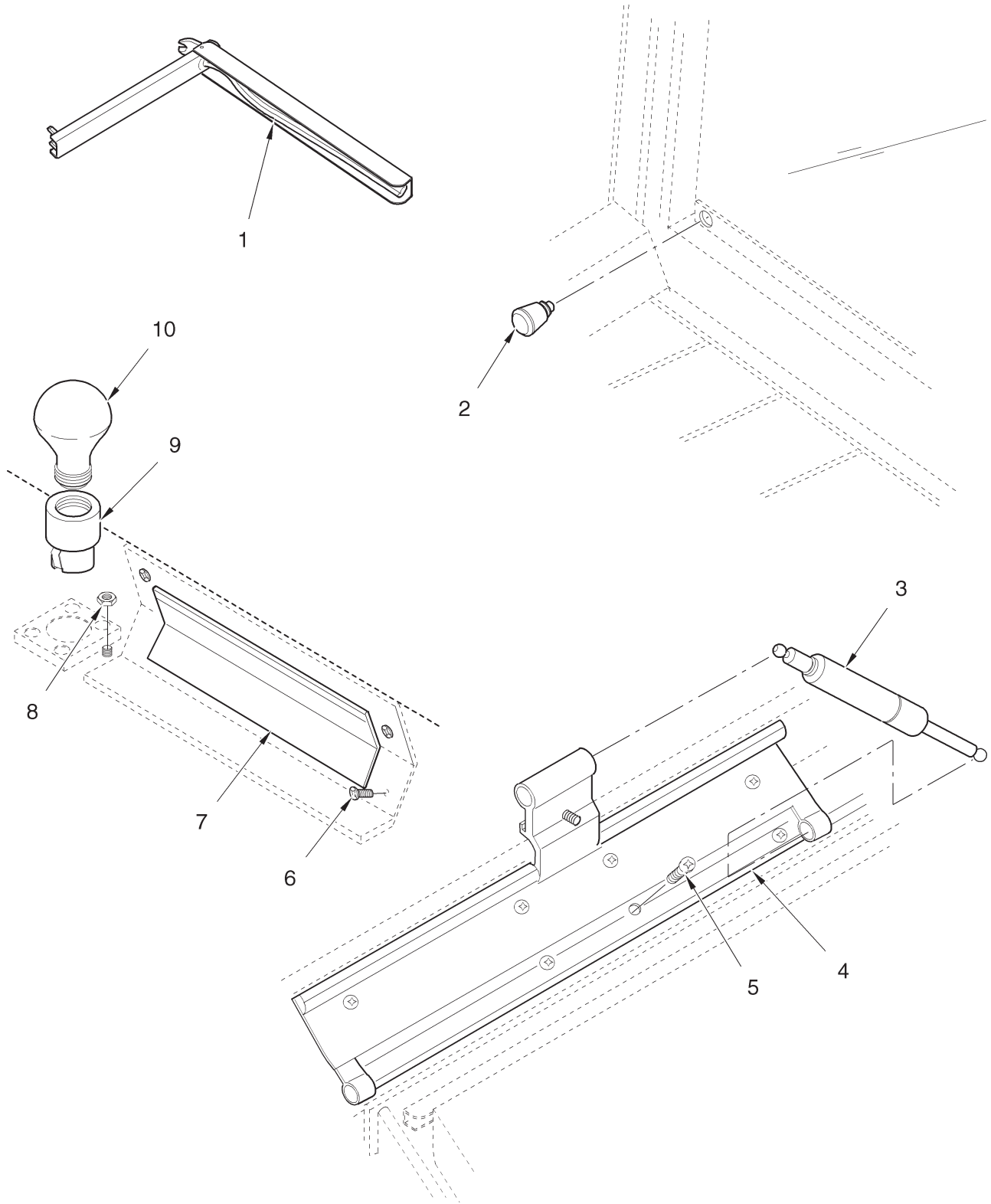


Figure 3-4. Under Canopy & Glass (Sheet 1 of 2)

FIG. &

**ITEM PART
NO. NO.**

DESCRIPTION

**QUANTITY
103 104 105 106 107**

ITEM NO.	PART NO.	DESCRIPTION	103	104	105	106	107
3-4	SHEET 1	UNDER CANOPY & GLASS					
√ 1	56878	GAS RAM INSTALLATION TOOL	AR	AR	AR	AR	AR
2	56883	SIDE GLASS RETAINER - SPRING LOADED	2	2	2	2	2
3	56343-001	GAS RAM - 100N	<i>REFER TO SELECTION CHART ON THE FOLLOWING TWO PAGES TO CHOOSE THE REQUIRED RAMS.</i>				
3	56343-002	GAS RAM - 200N					
3	56343-003	GAS RAM - 300N					
3	56343-004	GAS RAM - 400N					
3	56343-005	GAS RAM - 500N					
4	56345	LIFT ELEMENT	2	3	3	3	4
5	SC03-004	SCREW	16	24	24	24	32
6	SC02-041	SCREW	12	16	20	24	28
√ 7	14339	KIT - HEATER - RADIANT - 208V-510W	3	4	5	6	7
√ 7	14340	KIT - HEATER - RADIANT - 230V-510W	3	4	5	6	7
√ 7	14341	KIT - HEATER - RADIANT - 240V-260W - CE	3	4	5	6	7
√ 7	14342	KIT - HEATER - RADIANT - 208V-260W - CE	3	4	5	6	7
8	NS02-006	NUT	4	6	8	10	12
√ 9	39795	LIGHT SOCKET - DOMESTIC/NON-CE - AUG, 2000 & AFTER	4	5	6	7	8
√ 9	14295	LIGHT SOCKET KIT-DOMESTIC/NON-CE.- BEFORE AUG, 2000	4	5	6	7	8
√ 9	54041	LIGHT SOCKET - CE	4	5	6	7	8
√ 10	BL01-018	LIGHT BULB-JACKETED-HALOGEN-130V-90W	4	5	6	7	8
√ 10	BL01-017	LIGHT BULB-JACKETED-HALOGEN-230V-150W-CE	4	5	6	7	8
11*	56800	SIDE GLASS INSULATOR - CE	2	2	2	2	2

(INCREASED LIGHT BULB QTY. BY 2 TO SHOWN QTYS. AT SN: HA0608001 & ABOVE)

√ recommended parts

*not shown

GAS RAM IDENTIFICATION CHART - SHEET 1 OF 2

Refer to Columns 1 and 2 in the chart below to identify the correct canopy glass assembly(s) on your unit. Then move to the right to Column 3 to identify the correct gas ram configuration -- the quantity and strength of the gas ram(s) needed -- for your unit. Gas ram configuration is as viewed from the customer side.

Column 1	Column 2						Column 3
Glass Part No.	Brand	Profile	Wells	Type	Position	Combo	Gas Ram Qty. of Gas Shocks
58607-001	HP	Curved	2	Full			4/200N
58607-002	HP	Curved	3	Full			4/200N
58607-003	HP	Curved	4	Full			4/400N
58607-004	HP	Curved	5	Full			6/300N
58607-005	HP	Curved	6	Full			4/300N
58607-006	HP	Curved	7	Full			8/300N
58607-007	HP	Curved	2	Self	END	YES	1/100N
58607-008	HP	Curved	3	Self	END	YES	2/100N
58607-009	HP	Curved	2	Self	CTR	YES	1/100N
58607-010	HP	Curved	3	Self	CTR	YES	1/100N
58607-011	HP	Curved	3	Self			1/200N
58607-012	HP	Curved	4	Self			2/100N
58607-013	HP	Curved	5	Self			3/100N
58607-014	HP	Curved	6	Self			8/100N
58607-015	HP	Curved	7	Self			4/200N
58607-016	Hussman	Vision	2	Full			4/300N
58607-017	Hussman	Vision	3	Full			4/400N
58607-018	Hussman	Vision	4	Full			6/400N
58607-019	Hussman	Vision	5	Full			1/500N, 1/400N 2/500N, 1/400N 1/500N
58607-020	Hussman	Vision	6	Full			8/400N
58607-021	Hussman	Vision	7	Full			12/300N
58607-022	Hussman	Vision	2	Self	END	YES	1/100N
58607-023	Hussman	Vision	3	Self	END	YES	2/100N
58607-024	Hussman	Vision	2	Self	CTR	YES	1/100N
58607-025	Hussman	Vision	3	Self	CTR	YES	2/100N
58607-026	Hussman	Vision	3	Self			2/100N
58607-027	Hussman	Vision	4	Self			2/100N
58607-028	Hussman	Vision	5	Self			2/300N
58607-029	Hussman	Vision	6	Self			8/100N
58607-030	Hussman	Vision	7	Self			4/100N
58607-031		Flat	2	Full			4/200N
58607-032		Flat	3	Full			4/300N
58607-033		Flat	4	Full			4/300N, 2/200N
58607-034		Flat	5	Full			2/400N, 4/300N
58607-035		Flat	6	Full			8/300N
58607-036		Flat	7	Full			8/400N
58607-037		Flat	2	Self	END	YES	1/100N

Continued on next page....

GAS RAM IDENTIFICATION CHART - SHEET 2 OF 2

Refer to Columns 1 and 2 in the chart below to identify the correct canopy glass assembly(s) on your unit. Then move to the right to Column 3 to identify the correct gas ram configuration -- the quantity and strength of the gas ram(s) needed -- for your unit. Gas ram configuration is as viewed from the customer side.

Column 1 Glass Part No.	Column 2 Glass Description						Column 3 Gas Ram Qty. of Gas Shocks
	Brand	Profile	Wells	Type	Position	Combo	
58607-038		FLAT	3	SELF	END	YES	2/100N
58607-039		FLAT	2	SELF	CTR	YES	1/100N
58607-040		FLAT	3	SELF	CTR	YES	2/100N
58607-041		FLAT	3	SELF			2/100N
58607-042		FLAT	4	SELF			2/100N
58607-043		FLAT	5	SELF			2/200N
58607-044		FLAT	6	SELF			8/100N
58607-045		FLAT	7	SELF			4/100N
58607-046	TYLER	ADVANTAGE	2	FULL			1/300N, 2/200N, 1/300N
58607-047	TYLER	ADVANTAGE	3	FULL			2/500N, 1/400N, 1/500N
58607-048	TYLER	ADVANTAGE	4	FULL			2/400N, 1/400N, 1/300N, 2/400N
58607-049	TYLER	ADVANTAGE	5	FULL			2/500N, 2/400N, 2/500N
58607-050	TYLER	ADVANTAGE	6	FULL			8/400N
58607-051	TYLER	ADVANTAGE	7	FULL			8/300N, 4/200N
58607-052	TYLER	ADVANTAGE	2	SELF	END	YES	1/200N
58607-053	TYLER	ADVANTAGE	3	SELF	END	YES	2/100N
58607-054	TYLER	ADVANTAGE	2	SELF	CTR	YES	1/200N
58607-055	TYLER	ADVANTAGE	3	SELF	CTR	YES	2/100N
58607-056	TYLER	ADVANTAGE	3	SELF			2/100N
58607-057	TYLER	ADVANTAGE	4	SELF			2/200N
58607-058	TYLER	ADVANTAGE	5	SELF			2/200N
58607-059	TYLER	ADVANTAGE	6	SELF			4/200N
58607-060	TYLER	ADVANTAGE	7	SELF			4/200N
58607-061	HUSSMAN	VISION	3	FULL	NON-GLARE		4/400N
58607-062	HUSSMAN	VISION	5	FULL	NON-GLARE		1/500N, 1/400N, 2/500N, 1/400N, 1/500N
58607-063	HUSSMAN	VISION	7	FULL	NON-GLARE		12/300N
58607-064		FLAT	3		NON-GLARE		4/400N
58607-065		FLAT	5		NON-GLARE		4/400N, 2/300N
58607-066		FLAT	7		NON-GLARE		8/400N

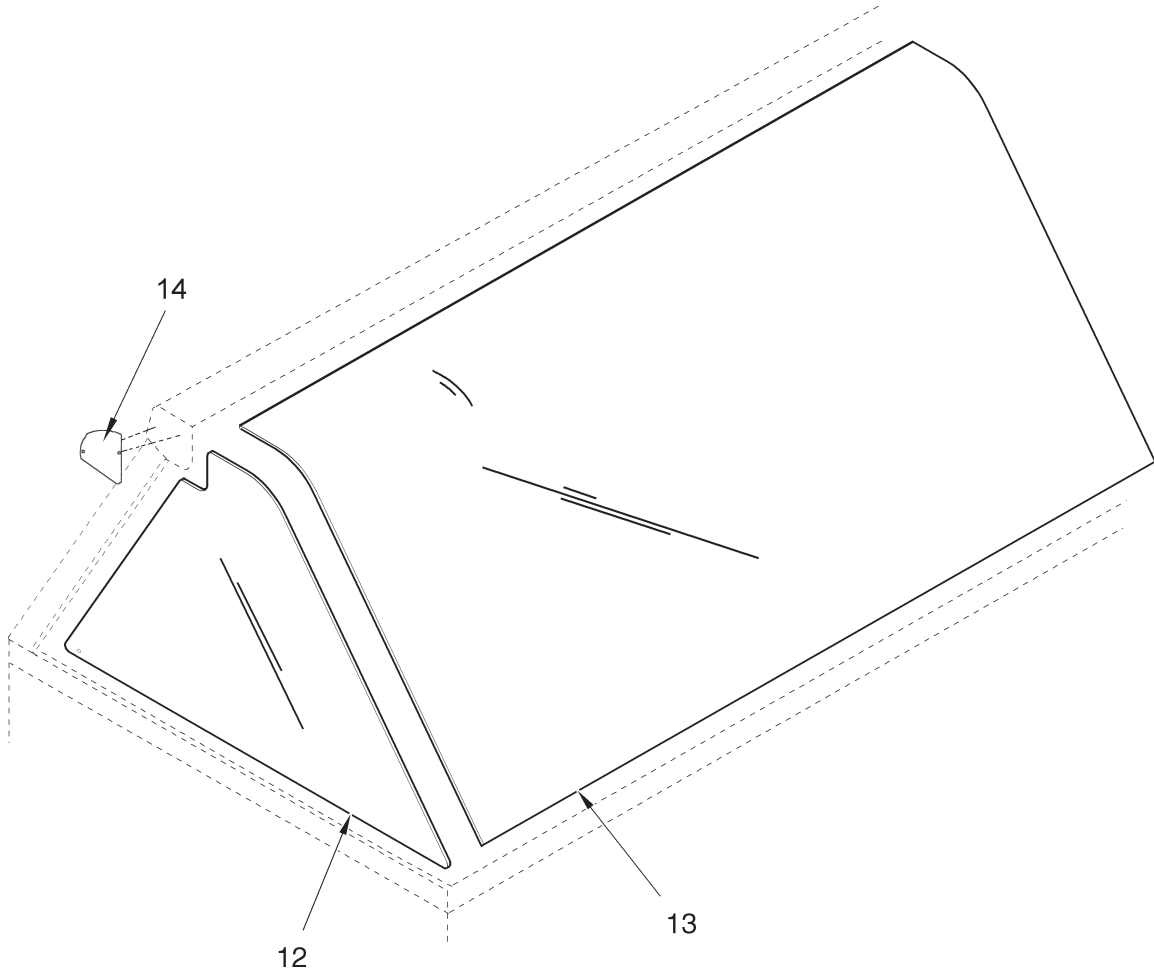


Figure 3-4. Under Canopy & Glass (Sheet 2 of 2)

ITEM NO.	PART NO.	DESCRIPTION	QUANTITY				
			103	104	105	106	107
12	56242-001	SIDE GLASS-FLAT-CLEAR	2	2	2	2	2
12	56242-002	SIDE GLASS-FLAT-MIRRORED - LH	1	1	1	1	1
12	56242-003	SIDE GLASS-FLAT-MIRRORED - RH	1	1	1	1	1
12	56242-004	SIDE GLASS-FLAT-LOW-E - LH	1	1	1	1	1
12	56242-005	SIDE GLASS-FLAT-LOW-E - RH	1	1	1	1	1
12	56242-006	SIDE GLASS-FLAT-MIRRORED - RH	1	1	1	1	1
12	56050-001	SIDE GLASS-HP PROFILE- CLEAR	2	2	2	2	2
12	56050-002	SIDE GLASS-HP PROFILE-MIRRORED - LH	1	1	1	1	1
12	56050-003	SIDE GLASS-HP PROFILE-MIRRORED - RH	1	1	1	1	1
12	56050-004	SIDE GLASS-HP PROFILE-LOW-E - LH	1	1	1	1	1
12	56050-005	SIDE GLASS-HP PROFILE-LOW-E - RH	1	1	1	1	1
12	56050-006	SIDE GLASS-HP PROFILE-MIRRORED-ANTIQU WHITE - LH	1	1	1	1	1
12	56050-007	SIDE GLASS-HP PROFILE-MIRRORED-ANTIQU WHITE - RH	1	1	1	1	1

FIG. &

ITEM NO.	PART NO.	DESCRIPTION	QUANTITY					
			103	104	105	106	107	
3-4	SHEET 2	UNDER CANOPY AND GLASS (CONTD)						
12	56050-008	SIDE GLASS-HP PROFILE-MIRRORED-SHADOW BLACK - LH	1	1	1	1	1	1
12	56050-009	SIDE GLASS-HP PROFILE-MIRRORED-SHADOW BLACK - RH	1	1	1	1	1	1
12	56241-001	SIDE GLASS-HUSSMAN (VISION PROFILE)-CLEAR	2	2	2	2	2	2
12	56241-002	SIDE GLASS-HUSSMAN (VISION PROFILE)- MIRRORED - LH	1	1	1	1	1	1
12	56241-003	SIDE GLASS-HUSSMAN (VISION PROFILE)- MIRRORED - RH	1	1	1	1	1	1
12	56241-004	SIDE GLASS-HUSSMAN (VISION PROFILE)- LOW-E - LH	1	1	1	1	1	1
12	56241-005	SIDE GLASS-HUSSMAN (VISION PROFILE)- LOW-E - RH	1	1	1	1	1	1
12	56239-001	SIDE GLASS-TYLER (ADVANTAGE PROFILE)-CLEAR	2	2	2	2	2	2
12	56239-002	SIDE GLASS-TYLER (ADVANTAGE PROFILE)- MIRRORED - LH	1	1	1	1	1	1
12	56239-003	SIDE GLASS-TYLER (ADVANTAGE PROFILE)- MIRRORED - RH	1	1	1	1	1	1
12	56239-004	SIDE GLASS-TYLER (ADVANTAGE PROFILE)- LOW-E - LH	1	1	1	1	1	1
12	56239-005	SIDE GLASS-TYLER (ADVANTAGE PROFILE)- LOW-E - RH	1	1	1	1	1	1
13	58607-001	HP (CURVED PROFILE) - 2 WELL - FULL SERVE	1	1	1	1	1	1
13	58607-002	HP (CURVED PROFILE) - 3 WELL - FULL SERVE	1	1	1	1	1	1
13	58607-003	HP (CURVED PROFILE) - 4 WELL - FULL SERVE	1	1	1	1	1	1
13	58607-004	HP (CURVED PROFILE) - 5 WELL - FULL SERVE	1	1	1	1	1	1
13	58607-005	HP (CURVED PROFILE) - 6 WELL - FULL SERVE	1	1	1	1	1	1
13	58607-006	HP (CURVED PROFILE) - 7 WELL - FULL SERVE (2 PER UNIT)	2	2	2	2	2	2
13	58607-007	HP (CURVED PROFILE) - 2 WELL - SELF SERVE- END (COMBO UNITS ONLY)	1	1	1	1	1	1
13	58607-008	HP (CURVED PROFILE) - 3 WELL - SELF SERVE- END (COMBO UNITS ONLY)	1	1	1	1	1	1
13	58607-009	HP (CURVED PROFILE) - 2 WELL - SELF SERVE- CTR (COMBO UNITS ONLY)	1	1	1	1	1	1
13	58607-010	HP (CURVED PROFILE) - 3 WELL - SELF SERVE- CTR (COMBO UNITS ONLY)	1	1	1	1	1	1
13	58607-011	HP (CURVED PROFILE) - 3 WELL - SELF SERVE	1	1	1	1	1	1
13	58607-012	HP (CURVED PROFILE) - 4 WELL - SELF SERVE	1	1	1	1	1	1
13	58607-013	HP (CURVED PROFILE) - 5 WELL - SELF SERVE	1	1	1	1	1	1
13	58607-014	HP (CURVED PROFILE) - 6 WELL - SELF SERVE (2 PER UNIT)	2	2	2	2	2	2

FIG. &

ITEM NO.	PART NO.	DESCRIPTION	QUANTITY					
			103	104	105	106	107	
3-4	SHEET 2	UNDER CANOPY AND GLASS (CONTD)						
13	58607-015	HP (CURVED PROFILE) - 7 WELL - SELF SERVE (2 PER UNIT)	2	2	2	2	2	
13	58607-016	HUSSMAN (VISION PROFILE) - 2 WELL - FULL SERVE	1	1	1	1	1	
13	58607-017	HUSSMAN (VISION PROFILE) - 3 WELL - FULL SERVE	1	1	1	1	1	
13	58607-018	HUSSMAN (VISION PROFILE) - 4 WELL - FULL SERVE	1	1	1	1	1	
13	58607-019	HUSSMAN (VISION PROFILE) - 5 WELL - FULL SERVE	1	1	1	1	1	
13	58607-020	HUSSMAN (VISION PROFILE) - 6 WELL - FULL SERVE (2 PER UNIT)	2	2	2	2	2	
13	58607-021	HUSSMAN (VISION PROFILE) - 7 WELL - FULL SERVE (2 PER UNIT)	2	2	2	2	2	
13	58607-022	HUSSMAN (VISION PROFILE) - 2 WELL - SELF SERVE-END (COMBO UNITS ONLY)	1	1	1	1	1	
13	58607-023	HUSSMAN (VISION PROFILE) - 3 WELL - SELF SERVE-END (COMBO UNITS ONLY)	1	1	1	1	1	
13	58607-024	HUSSMAN (VISION PROFILE) - 2 WELL - SELF SERVE-CTR (COMBO UNITS ONLY)	1	1	1	1	1	
13	58607-025	HUSSMAN (VISION PROFILE) - 3 WELL - SELF SERVE-CTR (COMBO UNITS ONLY)	1	1	1	1	1	
13	58607-026	HUSSMAN (VISION PROFILE) - 3 WELL - SELF SERVE	1	1	1	1	1	
13	58607-027	HUSSMAN (VISION PROFILE) - 4 WELL - SELF SERVE	1	1	1	1	1	
13	58607-028	HUSSMAN (VISION PROFILE) - 5 WELL - SELF SERVE	1	1	1	1	1	
13	58607-029	HUSSMAN (VISION PROFILE) - 6 WELL - SELF SERVE (2 PER UNIT)	2	2	2	2	2	
13	58607-030	HUSSMAN (VISION PROFILE) - 7 WELL - SELF SERVE (2 PER UNIT)	2	2	2	2	2	
13	58607-031	FLAT PROFILE - 2 WELL - FULL SERVE	1	1	1	1	1	
13	58607-032	FLAT PROFILE - 3 WELL - FULL SERVE	1	1	1	1	1	
13	58607-033	FLAT PROFILE - 4 WELL - FULL SERVE	1	1	1	1	1	
13	58607-034	FLAT PROFILE - 5 WELL - FULL SERVE	1	1	1	1	1	
13	58607-035	FLAT PROFILE - 6 WELL - FULL SERVE (2 PER UNIT)	2	2	2	2	2	
13	58607-036	FLAT PROFILE - 7 WELL - FULL SERVE (2 PER UNIT)	2	2	2	2	2	
13	58607-037	FLAT PROFILE - 2 WELL - SELF SERVE-END (COMBO UNITS ONLY)	1	1	1	1	1	
13	58607-038	FLAT PROFILE - 3 WELL - SELF SERVE-END (COMBO UNITS ONLY)	1	1	1	1	1	

FIG. & ITEM	PART NO.	DESCRIPTION	QUANTITY				
			103	104	105	106	107
3-4	SHEET 2	UNDER CANOPY AND GLASS (CONTD)					
13	58607-039	FLAT PROFILE - 2 WELL - SELF SERVE-CTR (COMBO UNITS ONLY)	1	1	1	1	1
13	58607-040	FLAT PROFILE - 3 WELL - SELF SERVE-CTR (COMBO UNITS ONLY)	1	1	1	1	1
13	58607-041	FLAT PROFILE - 3 WELL - SELF SERVE	1	1	1	1	1
13	58607-042	FLAT PROFILE - 4 WELL - SELF SERVE	1	1	1	1	1
13	58607-043	FLAT PROFILE - 5 WELL - SELF SERVE	1	1	1	1	1
13	58607-044	FLAT PROFILE - 6 WELL - SELF SERVE (2 PER UNIT)	2	2	2	2	2
13	58607-045	FLAT PROFILE - 7 WELL - SELF SERVE (2 PER UNIT)	2	2	2	2	2
13	58607-046	TYLER (ADVANTAGE PROFILE) - 2 WELL - FULL SERVE	1	1	1	1	1
13	58607-047	TYLER (ADVANTAGE PROFILE) - 3 WELL - FULL SERVE	1	1	1	1	1
13	58607-048	TYLER (ADVANTAGE PROFILE) - 4 WELL - FULL SERVE	1	1	1	1	1
13	58607-049	TYLER (ADVANTAGE PROFILE) - 5 WELL - FULL SERVE	1	1	1	1	1
13	58607-050	TYLER (ADVANTAGE PROFILE) - 6 WELL - FULL SERVE (2 PER UNIT)	2	2	2	2	2
13	58607-051	TYLER (ADVANTAGE PROFILE) - 7 WELL - FULL SERVE (2 PER UNIT)	2	2	2	2	2
13	58607-052	TYLER (ADVANTAGE PROFILE) - 2 WELL - SELF SERVE-END (COMBO UNITS ONLY)	1	1	1	1	1
13	58607-053	TYLER (ADVANTAGE PROFILE) - 3 WELL - SELF SERVE-END (COMBO UNITS ONLY)	1	1	1	1	1
13	58607-054	TYLER (ADVANTAGE PROFILE) - 2 WELL - SELF SERVE-CTR (COMBO UNITS ONLY)	1	1	1	1	1
13	58607-055	TYLER (ADVANTAGE PROFILE) - 3 WELL - SELF SERVE-CTR (COMBO UNITS ONLY)	1	1	1	1	1
13	58607-056	TYLER (ADVANTAGE PROFILE) - 3 WELL - SELF SERVE	1	1	1	1	1
13	58607-057	TYLER (ADVANTAGE PROFILE) - 4 WELL - SELF SERVE	1	1	1	1	1
13	58607-058	TYLER (ADVANTAGE PROFILE) - 5 WELL - SELF SERVE	1	1	1	1	1
13	58607-059	TYLER (ADVANTAGE PROFILE) - 6 WELL - SELF SERVE (2 PER UNIT)	2	2	2	2	2
13	58607-060	TYLER (ADVANTAGE PROFILE) - 7 WELL - SELF SERVE (2 PER UNIT)	2	2	2	2	2

FIG. &

ITEM NO.	PART NO.	DESCRIPTION	QUANTITY					
			103	104	105	106	107	
3-4	SHEET 2	UNDER CANOPY AND GLASS (CONTD)						
13	58607-061	HUSSMAN (VISION PROFILE) - 3 WELL - FULL SERVE-NON-GLARE	1	1	1	1	1	
13	58607-062	HUSSMAN (VISION PROFILE) - 5 WELL - FULL SERVE-NON-GLARE	1	1	1	1	1	
13	58607-063	HUSSMAN (VISION PROFILE)-7 WELL-FULL SERVE-NON-GLARE (2 PER UNIT)	2	2	2	2	2	
13	58607-064	FLAT PROFILE - 3 WELL - NON-GLARE	1	1	1	1	1	
13	58607-065	FLAT PROFILE - 5 WELL - NON-GLARE	1	1	1	1	1	
13	58607-066	FLAT PROFILE - 7 WELL - NON-GLARE (2 PER UNIT)	2	2	2	2	2	
14	56231	END CAP	2	2	2	2	2	
15*	56053	DIVIDER GLASS - HP PROFILE - COMBO UNITS	1	1	1	1	1	
15*	56243	DIVIDER GLASS - HUSSMAN (VISION PROFILE) - COMBO UNITS	1	1	1	1	1	
15*	56244	DIVIDER GLASS - TYLER (ADVANTAGE PROFILE) - COMBO UNITS	1	1	1	1	1	
15*	56245	DIVIDER GLASS - FLAT PROFILE - COMBO UNITS	1	1	1	1	1	
16*	14618	SNEEZE GUARD KIT - HMR-103	1	-	-	-	-	
16*	63191	SNEEZE GUARD ASSEMBLY - HMR-103	1	-	-	-	-	
16*	14623	SNEEZE GUARD KIT - HMR-104	-	1	-	-	-	
16*	21092	SNEEZE GUARD ASSEMBLY - HMR-104	-	1	-	-	-	
16*	14619	SNEEZE GUARD KIT - HMR-105	-	-	1	-	-	
16*	63420	SNEEZE GUARD ASSEMBLY - HMR-105	-	-	1	-	-	
16*	14624	SNEEZE GUARD KIT - HMR-106	-	-	-	1	-	
16*	21093	SNEEZE GUARD ASSEMBLY - HMR-106	-	-	-	1	-	
16*	14622	SNEEZE GUARD KIT - HMR-107	-	-	-	-	1	
16*	63421	SNEEZE GUARD ASSEMBLY - HMR-107	-	-	-	-	1	
17*	14872	KIT - HMR - 103 GREASE SHIELD	1	-	-	-	-	
17*	14873	KIT - HMR - 104 GREASE SHIELD	-	1	-	-	-	
17*	14874	KIT - HMR - 105 GREASE SHIELD	-	-	1	-	-	
17*	14875	KIT - HMR - 106 GREASE SHIELD	-	-	-	1	-	
17*	14876	KIT - HMR - 107 GREASE SHIELD	-	-	-	-	1	

* Not Shown

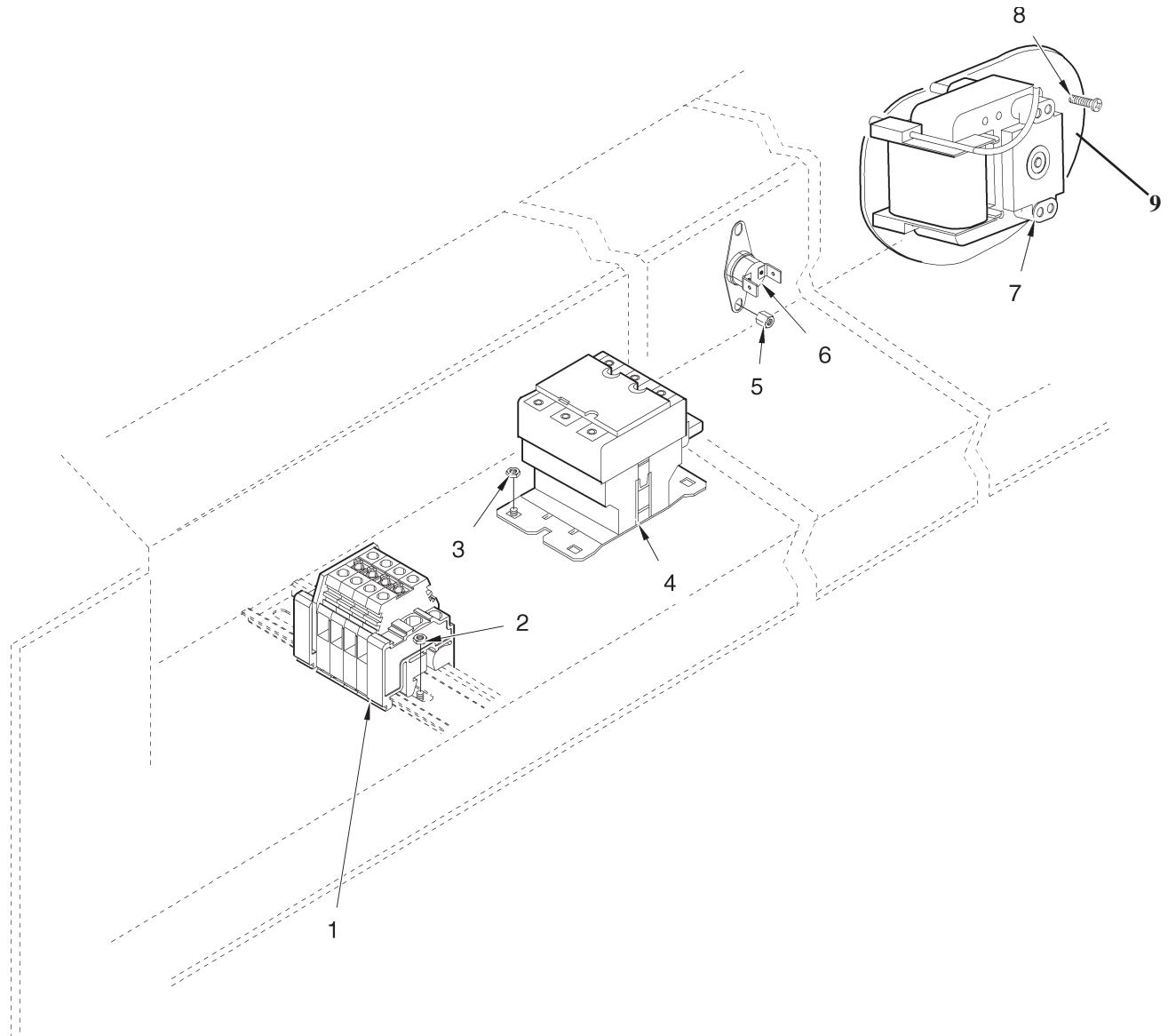


Figure 3-5. Lower Control Panel

ITEM NO.	PART NO.	DESCRIPTION	QUANTITY				
			103	104	105	106	107
1	49367	TERMINAL BLOCK ASSEMBLY	1	1	1	1	1
1	49641	TERMINAL BLOCK ASSEMBLY - CE	1	1	1	1	1
2	NS02-006	NUT	2	2	2	2	2
3	NS02-006	NUT	2	2	2	2	2
√ 3*	51062	EMC FILTER BOARD - CE	1	1	1	1	1
√ 4	19405	CONTACTOR 208/240V	1	1	1	1	1
5	ME50-023	STANDOFF	2	2	4	4	4
√ 6	56854	HIGH LIMIT W/SPACER- 225° F - MANUAL RESET	1	1	2	2	2
√ 7	80821	BLOWER MOTOR - 50/60 HZ	2	2	2	3	3
8	SC02-041	SCREW	6	6	6	9	9
9	37157	BLOWER PLATE				AS REQUIRED	

√ recommended parts/*not shown

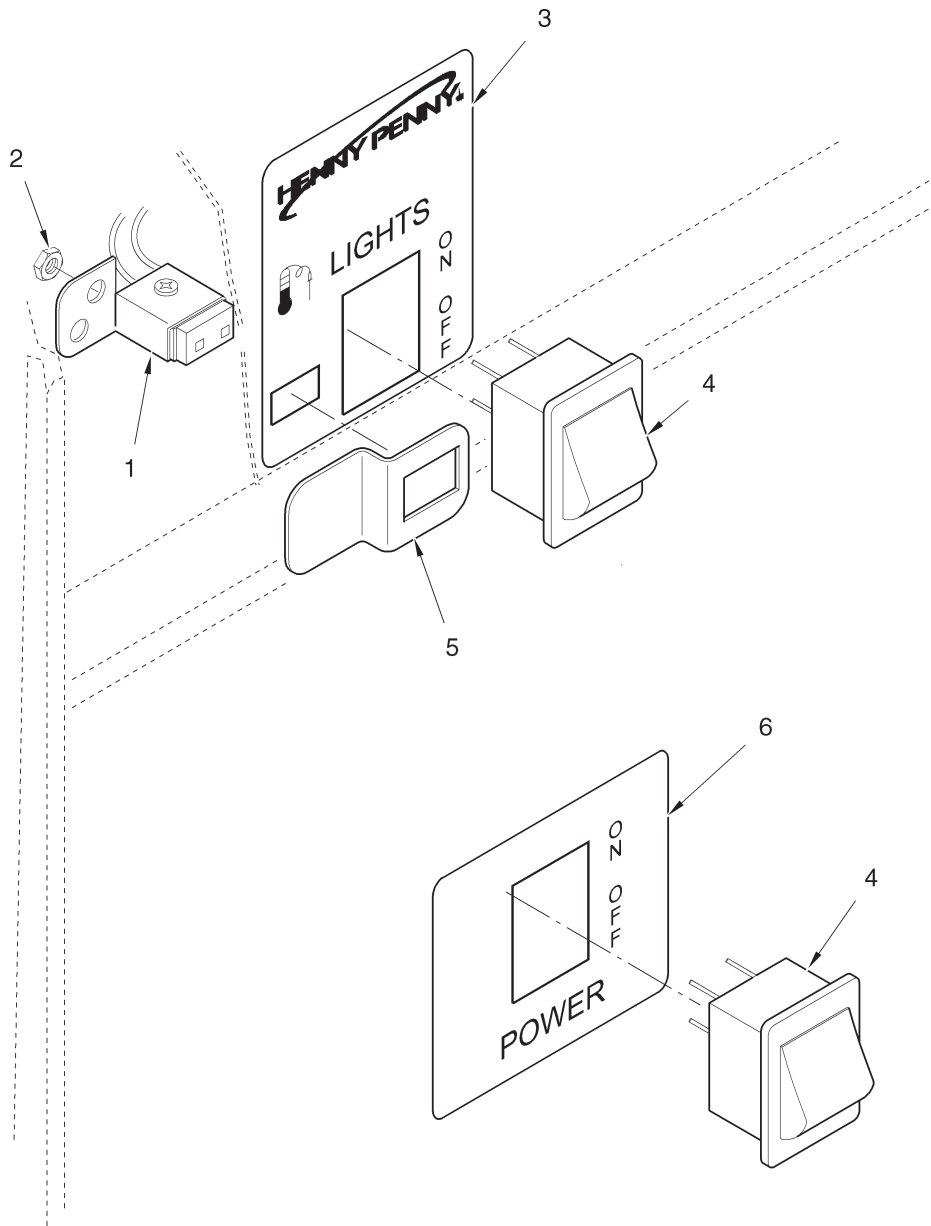
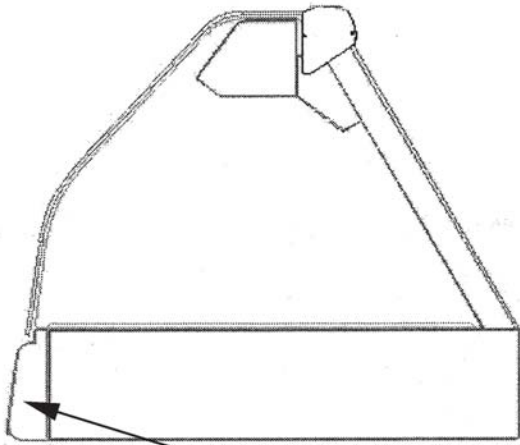


Figure 3-6. Upper Controls & Decals

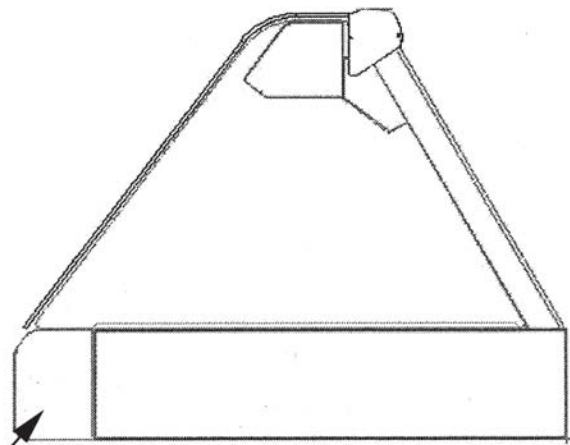
ITEM NO.	PART NO.	DESCRIPTION	QUANTITY				
			103	104	105	106	107
√ 1	56380	PROBE RECEPTACLE ASSEMBLY	2	2	2	2	2
2	NS02-006	NUT	2	2	2	2	2
3	61512	DECAL - LIGHTS W/PROBE	1	1	1	1	1
3	59305	DECAL - LIGHTS - W/O PROBE	1	1	1	1	1
√ 4	72277	POWER SWITCH	3	3	3	3	3
5	56585	PROBE GUARD	2	2	2	2	2
6	61739	DECAL - POWER	1	1	1	1	1
6	61753	DECAL-PWR W/PROBE (103, SN CY094JA & BELOW; 104, SN CY074JA & BELOW; 105, SN CY096JA & BELOW; & 106, SN: CY106JA & BELOW)	1	1	1	1	1

√ recommended parts

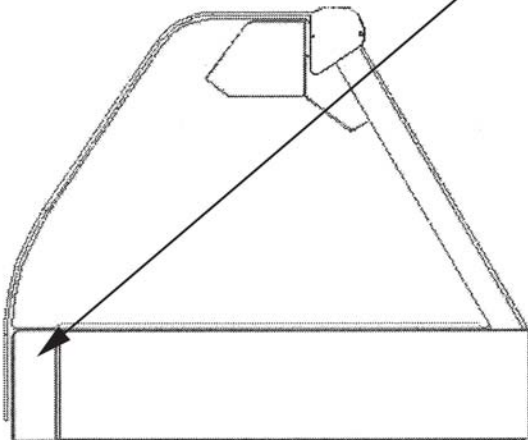
(HP) Curved Profile



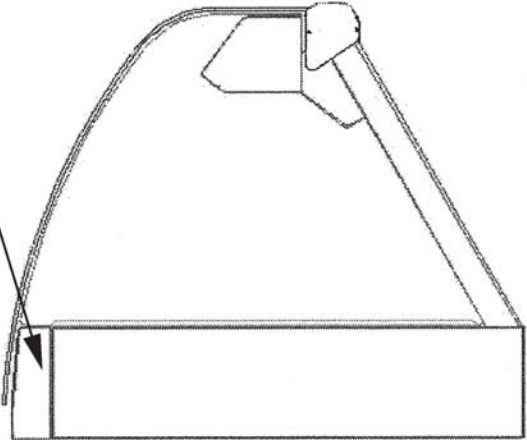
Flat Profile



**Hussman
Vision Profile**



**Tyler
Advantage Profile**



Front Support

Front Support Matrix

	HP Profile	Hussman Profile	Flat Profile	Tyler Profile
3 Well	58528	56275	58532	58537
4 Well	58527	56274	58531	58536
5 Well	58384	56273	58366	58535
6 Well	58526	56272	58530	58534
7 Well	58387	56271	58529	58533

HMR-12X - Two-Tier Merchandiser Parts

Item No.	Part No.	Description	Quantity		
			123	125	127
1	32777	Shelf - Wire - HMR-127	-	-	1
1	38921	Shelf - Wire - HMR-125	-	1	-
1	39182	Shelf - Wire - HMR-123	1	-	-
√ 2	32935-001	Heater - Lower Air - Ends - 208V-300W - HMR-125/127	-	2	2
√ 2	32935-002	Heater - Lower Air - Ends - 240V-300W - HMR-125/127	-	2	2
√ 2	56240-01	Heater - Lower Air - 208V-650W	2	2	3
√ 2	56240-02	Heater - Lower Air - 240V-650W	2	2	3
3	58607-011	HP (Curved) Profile Glass Assy - HMR-123	1	-	-
3	58607-026	Hussman Profile Glass Assy - HMR-123	1	-	-
3	58607-041	Flat Profile Glass Assy - HMR-123	1	-	-
3	58607-056	Tyler Profile Glass Assy - HMR-123	1	-	-
3	58607-013	HP (Curved) Profile Glass Assy - HMR-125	-	1	-
3	58607-028	Hussman Profile Glass Assy - HMR-125	-	1	-
3	58607-043	Flat Profile Glass Assy - HMR-125	-	1	-
3	58607-058	Tyler Profile Glass Assy - HMR-125	-	1	-
3	58607-015	HP (Curved) Profile Glass Assy - HMR-127	-	-	1
3	58607-030	Hussman Profile Glass Assy - HMR-127	-	-	1
3	58607-045	Flat Profile Glass Assy - HMR-127	-	-	1
3	58607-060	Tyler Profile Glass Assy - HMR-127	-	-	1
4	32754	Assy - Upper Wire Shelf Support	2	3	4
5	56582-001	Assy - Power Cord, 12 AWG/4CONN-HMR-123 (1 phase)	1	-	-
5	56583-001	Assy - Power Cord, 12 AWG/5CONN-HMR-123 (3 phase)	1	-	-
5	56582-003	Assy - Power Cord, 8 AWG/4CONN-HMR-125/127 (1 phase)	-	1	1
5	56583-003	Assy - Power Cord, 8 AWG/4CONN-HMR-125/127 (3 phase)	-	1	1
√ 6	27401-001	Heater - Radiant - 208V-260W	6	10	14
√ 6	27401-002	Heater - Radiant - 240V-260W	6	10	14
√ 7	39131	Control - PC Board - Radiant Heat	1	1	1
√ 7	39132	Control - PC Board - Radiant Heat - CE	1	1	1
8	56050-002	Side Glass - HP - Mirrored - LH	1	1	1
8	56050-003	Side Glass - HP - Mirrored - RH	1	1	1
8	56050-006	Side Glass - HP - Mirrored - LH - Antique White	1	1	1
8	56050-007	Side Glass - HP - Mirrored - RH - Antique White	1	1	1
8	56050-008	Side Glass - HP - Mirrored - LH - Shadow Black	1	1	1
8	56050-009	Side Glass - HP - Mirrored - RH - Shadow Black	1	1	1
8	56241-002	Side Glass - Hussman - Mirrored - LH	1	1	1
8	56241-003	Side Glass - Hussman - Mirrored - RH	1	1	1
8	56242-002	Side Glass - Flat - Mirrored - LH	1	1	1
8	56242-003	Side Glass - Flat - Mirrored - RH	1	1	1
8	56239-002	Side Glass - Tyler - Mirrored - LH	1	1	1
8	56239-003	Side Glass - Tyler - Mirrored - RH	1	1	1
√ 9	39127	Control - HMR-12X - Air Heat On (170-210° F)	1	1	1
√ 9	67201	Control - HMR-12X - Air Heat On (140-180° F-Giant Eagle)	1	1	1
√ 10	BL01-018	Light Bulb - Jacketed - Halogen - 90W-130V	2	4	6
√ 10	BL01-017	Light Bulb - Jacketed - Halogen - 150W-230V - CE	2	4	6
√ 10	BL01-021	Light Bulb - Jacketed - Halogen - 120W-40V (Giant Eagle)	2	4	6
√ 10	39795	Light Socket- DOMESTIC/ NON-CE	2	4	6
√ 11	54041	Light Socket - CE	2	4	6
√ 11	67910	Light Socket (used with BL01-021 only)	2	4	6
12	68045	Sliding Glass Doors - HMR-123	2	-	-
12	68049	Sliding Glass Doors - HMR-125	-	2	-
12	68051	Sliding Glass Doors - HMR-127	-	-	2
13	72174	Assy - Front Viewing Glass - HMR-123	1	-	-
14	14930	KIT-HMR12X-CNTORLOW PF	1	1	1

√ recommended parts